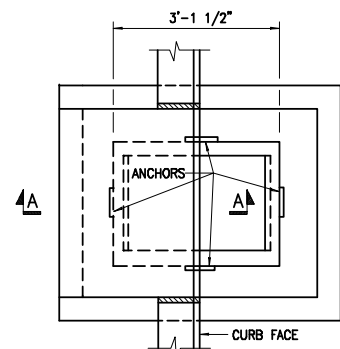
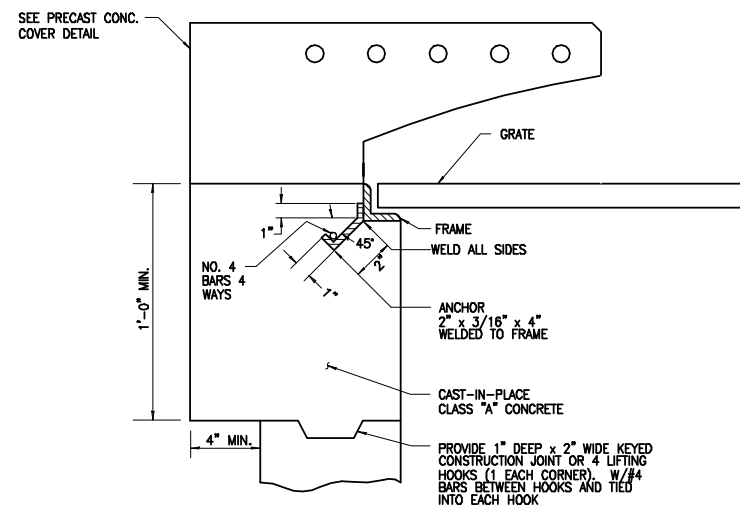


PLAN FOR 18" OR LESS PIPE



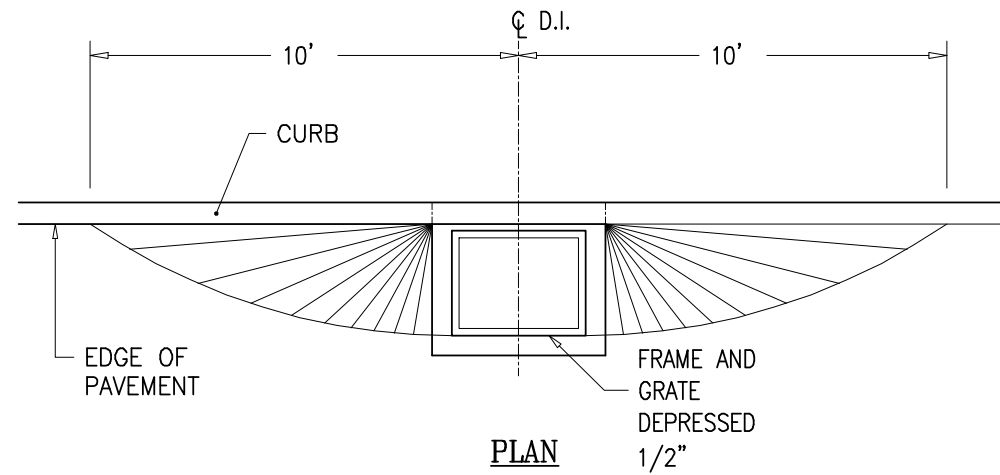
PLAN FOR PIPE GREATER THAN 18" UP TO 24"



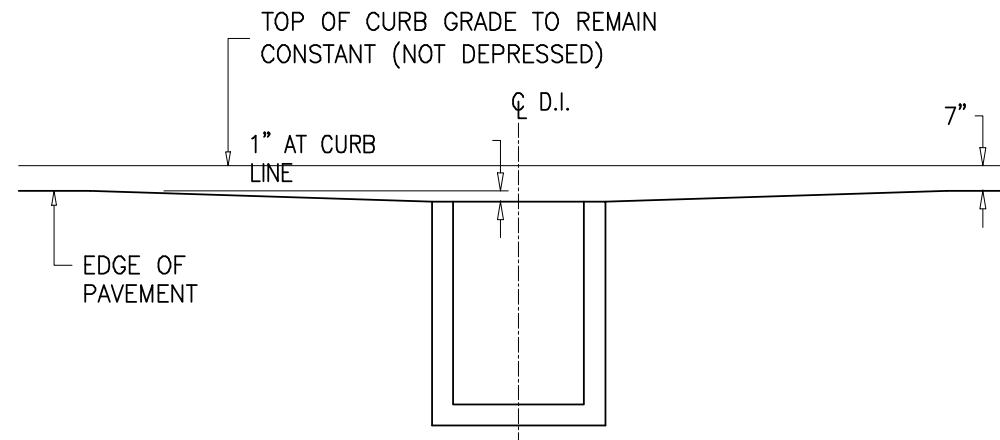
SECTION A-A

D.I. CAP ADJUSTMENT IN RECESS CURB SECTION

NOT TO SCALE - REVISED: 06/12/23



PLAN



ELEVATION

DEPRESSED INLET PAVING

NOT TO SCALE - REVISED: 06/12/23

NO.	DATE	BY:	REVISION

CONSULTANT
 Consultant Address: (565) 867-5309
 Rochester, New York XXXX
 Fax: (565) 867-5309

PROJECT MANAGER: **MANAGER**
 DRAWN BY: **DRAFTER**

DEPARTMENT OF TRANSPORTATION
 50 WEST MAIN STREET, SUITE 6100
 ROCHESTER, NEW YORK 14614-1231
 UNAUTHORIZED ALTERATION OR ADDITION TO THIS DRAWING
 VIOLATES NEW YORK STATE EDUCATION LAW
 ARTICLE 145, SECTION 7209

COUNTY ROAD #
 PROJECT NAME
 PROJECT LIMITS
 TOWN
 CAPITAL PROJECT NO.
 XXXX.XX